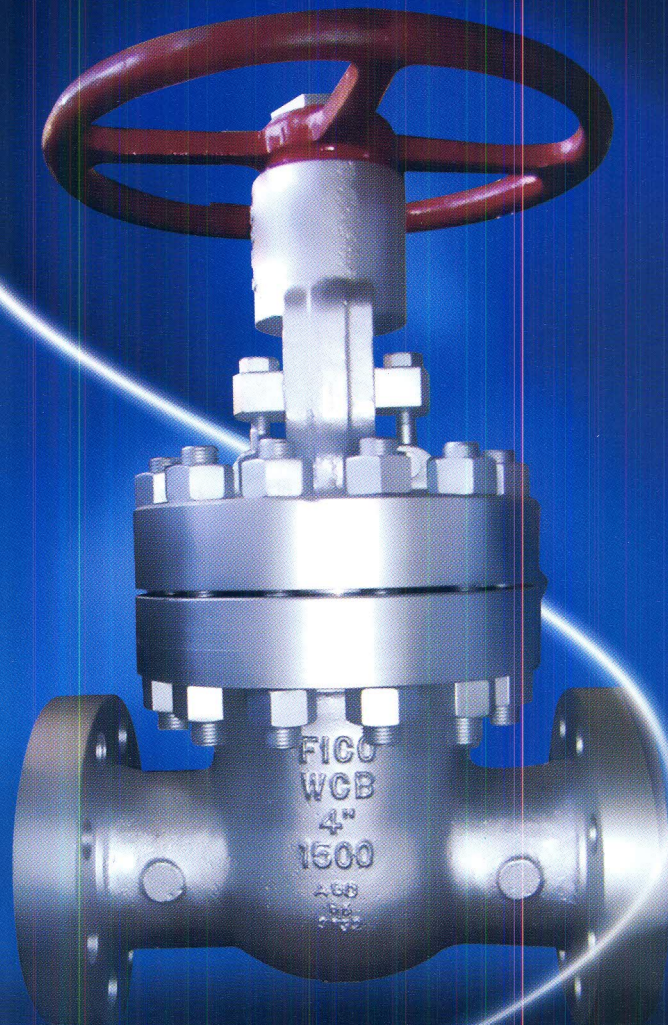


# GATE VALVES



BASIC DESIGN : API 600 / BS 1414 / ASME B16.34

FACE-TO-FACE : ASME B16.10

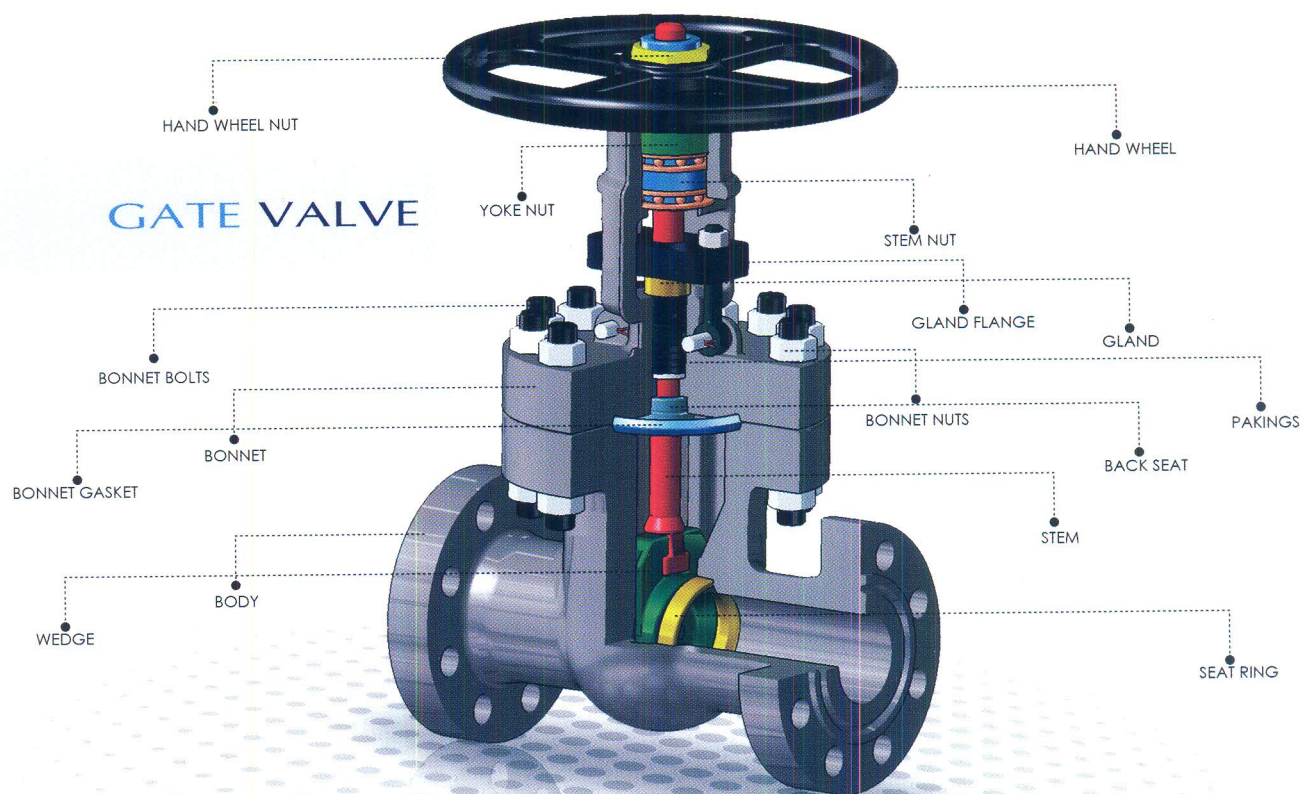
FLANGES : UP TO 24" ASME B16.5  
FROM 26" ASME B16.47

BUTTWELD ENDS : ASME B16.25

MARKING : MSS-SP-25

INSPECTION AND TESTING : API 598

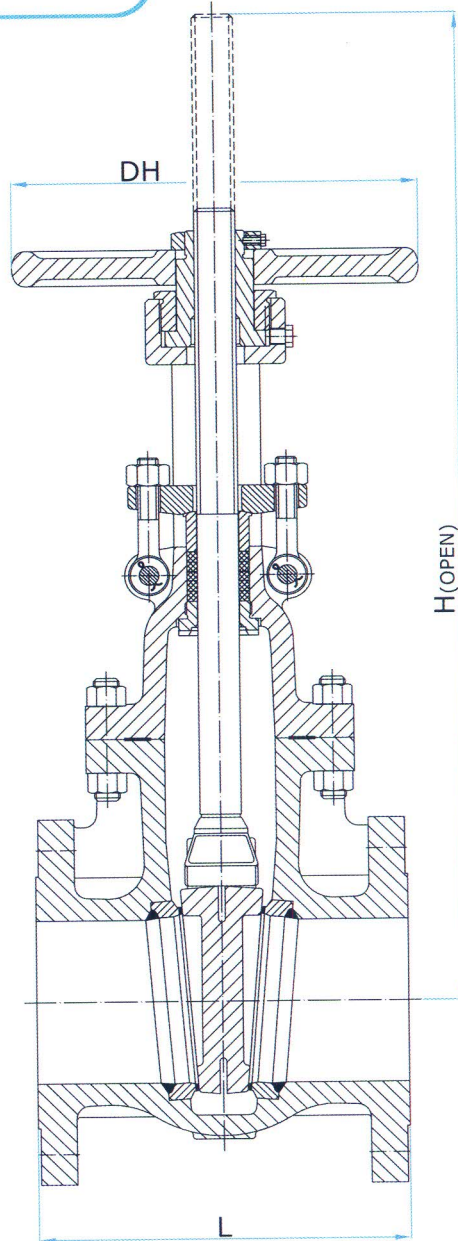




	WCB	LCB	WC6	WC9	C5	CF8	CF8M
BODY	A216 GR.WCB	A352 GR.LCB	A217 GR.WC6	A217 GR.WC9	A217 GR.C5	A351 GR.CF8	A351 GR.CF8M
BONNET	A216 GR.WCB	A352 GR.LCB	A217 GR.WC6	A217 GR.WC9	A217 GR.C5	A351 GR.CF8	A351 GR.CF8M
BONNET BOLTS	A193 GR.B7	ASTM A320 GR.L7	ASTM A193 GR.B16	ASTM A193 GR.B16	ASTM A193 GR.B16	ASTM A193 GR.B8	ASTM A193 GR.B8
BONNET NUTS	A194 GR.2H	ASTM A194 GR.4	ASTM A194 GR.4	ASTM A194 GR.4	ASTM A194 GR.4	ASTM A194 GR.8	ASTM A194 GR.8
BONNET GASKET CLASS 150	SOFT STEEL	TYPE 304 SS	TYPE 304 SS	TYPE 304 SS	TYPE 304 SS	TYPE 316 SS	TYPE 316 SS
BONNET GASKET CLASS 300 & 600	SPIRAL 316 SS+GRAPHITE	SPIRAL 316 SS+GRAPHITE	SPIRAL 316 SS+GRAPHITE	SPIRAL 316 SS+GRAPHITE	SPIRAL 316 SS+GRAPHITE	SPIRAL 316 SS+GRAPHITE	SPIRAL 316 SS+GRAPHITE
BONNET GASKET CLASS 900 & UP	STEEL RING	304 SS RING	304 SS RING	304 SS RING	304 SS RING	316 SS RING	316 SS RING
PACKINGS	FLEXIBLE GRAPHITE	FLEXIBLE GRAPHITE	FLEXIBLE GRAPHITE	FLEXIBLE GRAPHITE	FLEXIBLE GRAPHITE	FLEXIBLE GRAPHITE	FLEXIBLE GRAPHITE
GLAND	NON CORRODING METAL	NON CORRODING METAL	NON CORRODING METAL	NON CORRODING METAL	NON CORRODING METAL	NON CORRODING METAL	NON CORRODING METAL
GLAND FLANGE	CARBON STEEL	A350 GR.LF2	A105	A105	A105	A351 GR.CF8	A351 GR.CF8M
STEM NUT	Ni-Resist	Ni-Resist	Ni-Resist	Ni-Resist	Ni-Resist	Ni-Resist	Ni-Resist
YOKE NUT	DUCTILE IRON	DUCTILE IRON	DUCTILE IRON	DUCTILE IRON	DUCTILE IRON	DUCTILE IRON	DUCTILE IRON
HANDWHEEL	DUCTILE IRON	DUCTILE IRON	DUCTILE IRON	DUCTILE IRON	DUCTILE IRON	DUCTILE IRON	DUCTILE IRON
HANDWHEEL NUT	DUCTILE IRON	DUCTILE IRON	DUCTILE IRON	DUCTILE IRON	DUCTILE IRON	DUCTILE IRON	DUCTILE IRON

TRIM NUMBER	SEAT RING SURFACE	WEDGE SURFACE	STEM	BACKSEAT BUSHING
1	F6	F6	F6	F6
2	F304	F304	F304	F304
5	STELLITED	STELLITED	F6	F6
8	STELLITED	F6	F6	F6
9	MONEL	MONEL	MONEL	MONEL
10	F316	F316	F316	F316
12	STELLITED	F316	F316	F316
13	ALLOY 20	ALLOY 20	ALLOY 20	ALLOY 20

GATE VALVES ASME CLASS 150



DN (mm)	50	65	80	100	125	150	200	250	300	350	400	450	500	600	700	750	800	900	1050	1200
NPS (inch)	2	2½	3	4	5	6	8	10	12	14	16	18	20	24	28	30	32	36	42	48
L (RF) (mm)	178	191	203	229	254	267	292	330	356	381	407	432	457	508	610	610	660	711	787	864
L (BW) (mm)	216	241	283	305	381	403	419	457	502	572	610	660	711	813	914	914	965	1016	1092	1162
H (OPEN) (mm)	401	492	483	586	742	794	1013	1232	1465	1756	2032	2212	2510	2882	3000	3150	3300	3700	4800	6000
DH (mm)	200	200	230	250	300	350	400	450	500	610	610	686	762	762	762	762	915	915	915	915
WEIG HT (KG)	18	28	30	50	70	85	128	220	310	450	550	700	910	1130	1900	2550	3000	3400	5300	7000